

CFP-SERIES variable frequency power supply

Number control technology
High voltage stabilization accuracy
Wide frequency range
Excellent output waveform



Comply with IEC/GBT standards
Provide your house energy storage solution
Whole solutions for design, assembly, test...
Accountable solution for safety and reliability
Wide range offering, easy business and ready to use out of the box



Table of contents

<http://www.rw-relay.com>

About us / contact us	1
Summary	2
System structure	3
Main technical parameters	4
After-sales service	7



Zhejiang Rockwill Energy Technology Co., Ltd. is a technology enterprise specializing in providing complete solutions for power automation system and related automation system supporting equipment.

The company has a long-term strategic cooperation with internationally renowned middle and high voltage electrical equipment R & D and manufacturing companies and research institutes, and has jointly developed a series of high-quality automation products,. The company has also married with the provincial intelligent high-voltage switch laboratory to jointly develop a new generation of intelligent synchronous switch measurement and control devices, electronic transformers, voltage sensor processing units, etc., and has achieved some fruitful technical achievements and accumulated a large number of industry professional and technical elites with excellent experience. Solid talent base, advanced production equipment, perfect quality system, strict testing means, is a strong guarantee for the company's product quality alone.

In addition to providing a rich choice of products, we can provide you with technical solution support services, you only need to tell us your needs, our technical staff will be tailored for you to design a complete set of product solutions

The company is renowned at home and abroad for providing high-quality products and services. In addition to the domestic market, the products are currently exported to South America, Central Asia, the Middle East, Central Europe, Southeast Asia, Africa and other places. We always adhere to the belief of growing together with customers, and strive to provide safer, more reliable, more advanced and more humane automation system solutions and equipment.

ROCKWILL[®], China. Provide with best support.

If you have any question please consult below:

Email: support@rw-relay.com

Tel: [+86 \(577\) 27819965](tel:+86(577)27819965)

WEB station: <http://www.rw-relay.com/>

mobile: [+86 13867748881](tel:+8613867748881)

ROCKWILL® Energy strives to bring our customers the latest technology and competitive pricing and best service for distribution automatic.

CFP series intelligent variable frequency power supply is a new generation of green power supply developed and produced. It can simulate the power supply environment of countries around the world, and meet the power supply of equipment with different frequencies or different rated voltage levels.

CFP series intelligent variable frequency power supply has many advantages such as high frequency stability, high voltage stabilization accuracy, fast response speed, good impact resistance, automatic three-phase voltage balance, etc.

The CFP series variable frequency (shore power) power supply is mainly composed of single chip intelligent control board, drive board, IGBT(insulated gate bipolar transistor), isolation transformer, surge absorption Input and output circuit and other components.

The main circuit of the CFP series variable frequency power supply is designed based on the working principle of AC-DC-AC, and mainly includes rectifier, DC filter capacitor group, inverter, output reactor, isolation transformer and AC filter capacitor group, as shown in the figure below.

Service environment

Air temperature: Ambient temperature: -15°C ~ +40°C

Humidity: 0% ~ 90% (Non-congealing cream)

Above sea level: -100~1000m

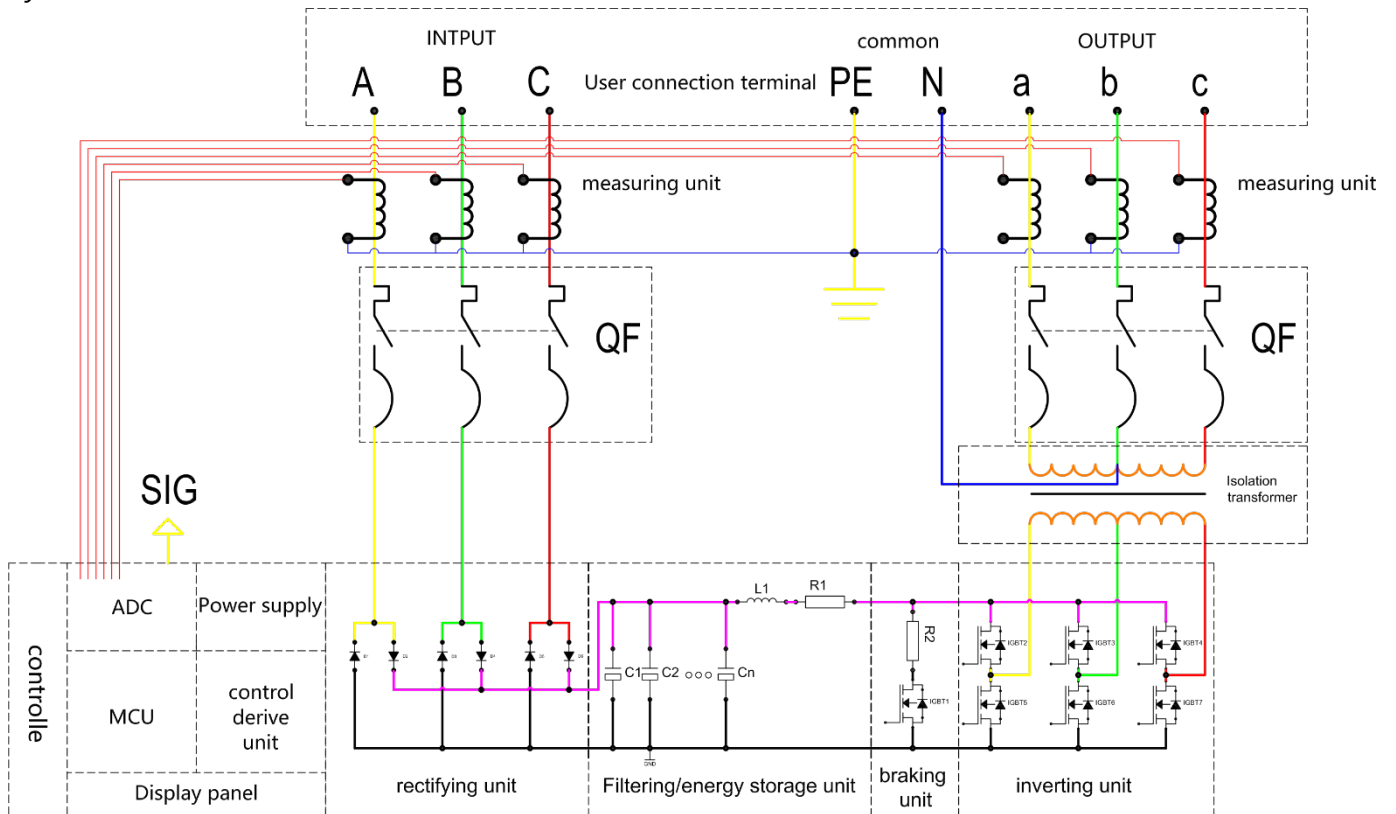
Install site Free of severe vibration or bumps

Product display:



1. Human-computer interaction interface	2. Rectification/Inversion Unit	3. isolation transform
4.cooling fan	5.output circuit-breaker	6. input circuit-breaker
7.gird/ variable frequency switch	8.input/output terminal block	

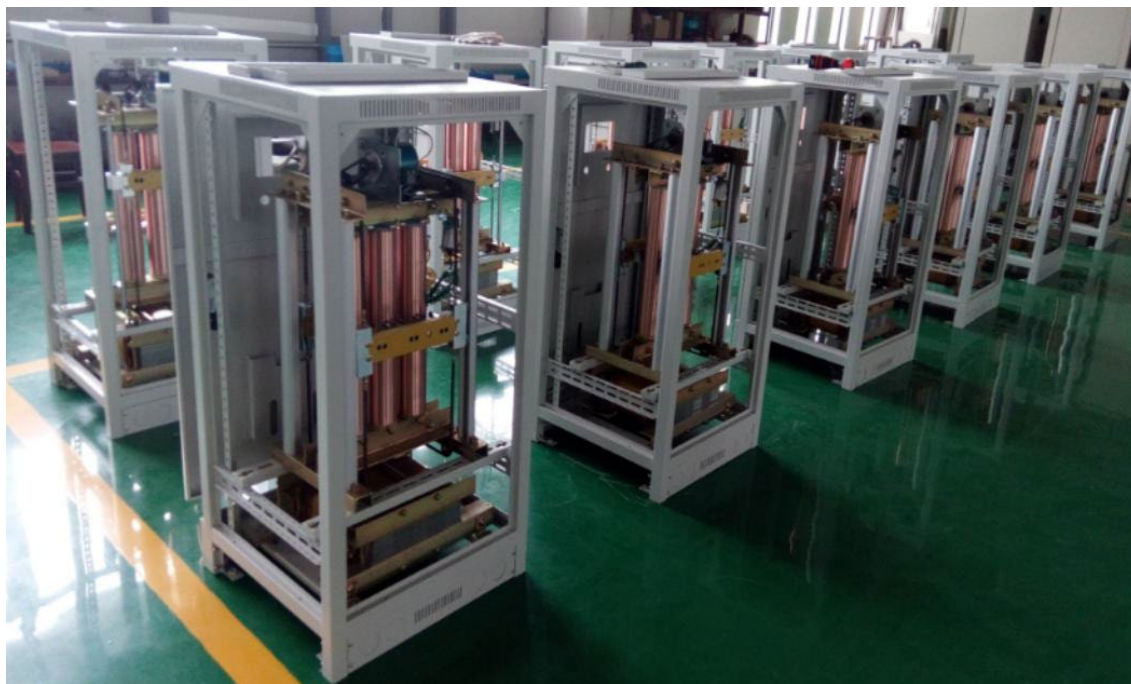
system structure:



Input	Input Voltage range	3-phase 5line AC380V \pm 15% Single-phase 3line AC220 \pm 20%
	Rated frequency	40Hz-73Hz
Output	Rate output Voltage	3-phase 5line AC0-520V (adjustable) Single-phase 3line AC0-300V(adjustable)
	Center Voltage	\pm 5% adjustable (adjustable)
	Voltage stabilization	1%
	Response time	\leq 2ms
	Waveform distortion	Increment \leq 2%
	Frequency	42-73Hz
	Frequency stability	< 0.1%
	3-phase unbalance	Increment \leq 4°
Protection	3-phase imbalance	Automatic balance
	Over-voltage	Default 10% 6s cut off
	Under-voltage	Default 12% 12s cut off
	Overload	Inverse-time curve cut off
	Overcurrent	Inverse-time curve cut off
	Short-circuit	Instantaneous Cut off
Display and alarm	voltage display	Line voltage(L-L), 3-phase Voltage(L-N)
	Frequency	Display frequency
	line current display	Display IA IB IC
	Power	Display power
	Fault display and report	a. over-voltage, b. under-voltage, c. overload, d. IGBT fault, e. over temperature
Safety regulations	Ground	\geq 10mm ²
	Electrical clearance and creepage distance	\geq 22mm
	Dielectric strength	\geq 20M Ω
	work frequency withstand voltage	AC2000V1Min \leq 20mA

Model	Input Voltage	Rated capacity	Rated output current		Size	Weight
			HV gear	LV gear		
CFP13003 CFP33003	3-phase AC380V ±15%	3KVA	4.5A	9A	350*650*630(mm) (with locking wheel)	60kg
CFP13006 CFP33006		6KVA	9A	18A		65kg
CFP13010 CFP33010		10KVA	15A	30A		150kg
CFP13015 CFP33015		15KVA	23A	46A	460*650*1200(mm) (with locking wheel)	210kg
CFP13020 CFP33020		20KVA	30A	60A		260kg
CFP33030		30KVA	45A	90A		310kg
CFP33045		45KVA	68A	136A	780*650*1350(mm)	365kg
CFP33060		60KVA	91A	182A		398kg
CFP33075		75KVA	114A	225A	950*700*1500(mm)	512kg
CFP33090		90KVA	137A	274A		550kg
CFP33120		120KVA	183A	366A		566kg
CFP33150		150KVA	228A	456A	1200*750*1800(mm)	875kg
CFP33200		200KVA	304A	608A		980kg
CFP33250		250KVA	380A	760A	1400*1000*2100(mm)	1300kg
CFP33300		300KVA	456A	912A		1450kg
CFP33400		400KVA	608A	1216A	1200*750*1800(mm) Two cabinets	2100kg
CFP33500		500KVA	760A	1520A	1400*1000*2100(mm) Two cabinets	3300kg
CFP33600		600KVA	912A	1824A		3900kg
CFP33800		800KVA	1216A	2432A	1400*1000*2100(mm) Three cabinets	4800kg
CFP331000		1000KVA	1520A	3040A		5700kg
CFP11003	3KVA	13A	26A	350*650*630(mm) (with locking wheel)	55kg	
CFP11005	5KVA	21A	42A		68kg	
CFP11010 CFP31010	10KVA	42A	84A		90kg	
CFP11015 CFP31015	15KVA	63A	126A	460*650*1200(mm) (with locking wheel)	119kg	
CFP11020 CFP31020	20KVA	84A	168A		180kg	
CFP11030 CFP31030	30KVA	126A	252A		225kg	
CFP11045 CFP31045	45KVA	189A	378A	780*650*1350(mm)	300kg	
CFP31060	60KVA	252A	504A		420kg	
CFP31075	75KVA	315A	630A		530kg	

Model	Input Voltage	Rated capacity	Rated output current		Size	Weight
			HV gear	LV gear		
CFP31090	3-phase AC380V ±15%	90KVA	378A	756A	950*700*1500(mm)	548kg
CFP31120		120KVA	504A	1008A		610kg
CFP31150		150KVA	630A	1260A		690kg
CFP31200		200KVA	480A	1680A	1400*1000*2100(mm)	980kg
CFP31300		300KVA	1350A	2700A		1200kg
CFP11-500W	Single-phase AC220V ±20%	0.5KVA	2.1A	4.2A	425*436*176(mm)	15kg
CFP11001		1KVA	4.2A	8.4A	4U standard rack type	25kg
CFP11002		2KVA	8.5A	17A	350*650*630(mm) (with locking wheel)	30kg
CFP11003		3KVA	13A	26A		50kg
CFP11005		5KVA	21A	42A		60kg
CFP11010 CFP31010		10KVA	42A	84A		140kg
CFP11015 CFP31015		15KVA	63A	126A		460*650*1200(mm) (with locking wheel)
CFP11020 CFP31020		20KVA	84A	168A	245kg	
CFP11030 CFP31030		30KVA	126A	252A	295kg	
CFP11045 CFP31045		45KVA	189A	378A	780*650*1350(mm)	340kg
CFP31060		60KVA	252A	504A		370kg
CFP31075		75KVA	315A	630A	950*700*1500(mm)	486kg
CFP31090		90KVA	378A	756A		500kg
CFP31120		120KVA	504A	1008A	1200*750*1800(mm)	530kg
CFP31150		150KVA	630A	126A		845kg
CFP31200	200KVA	840A	1680	1400*800*2100(mm)	945kg	
CFP31300	300KVA	1350A	2700		1200kg	



Field service operation and warranty issues:

ROCKWILL® can provide competent, well trained field service representatives to provide technical guidance and advisory assistance for the installation, overhaul, repair and maintenance of ROCKWILL® equipment, processes and systems.

ROCKWILL® service Tel: [+86 \(577\) 27819965](tel:+86(577)27819965)/[+86 13867748881](tel:+8613867748881)

Email: support@rw-relay.com

Or check the website information: <http://www.rw-relay.com>